

### Features

- Two-lever handles offer separate control of hot and cold water.
- 9" (229 mm) spout reach.
- 10.0 gpm (3.8 lpm) maximum flow rate at 45 psi (3.1 bar).
- KOHLER ceramic disc valves exceed industry longevity standards for a lifetime of durable performance.
- Coordinates with other products in the Parallel collection.

### Material

- Premium metal construction for durability and reliability.
- KOHLER finishes resist corrosion and tarnishing.

### Installation

- Wall-mount.

### Required Products/Accessories

For wall-mount installation  
K-20716-K Two-handle wall-mount bath faucet valve

### Recommended Products/Accessories

K-23726 Drain treatment  
K-23723 Faucet cleaner



ADA CSA B651 OBC

### Codes/Standards


ASME A112.18.1/CSA B125.1  
ADA  
ICC/ANSI A117.1  
CSA B651  
OBC

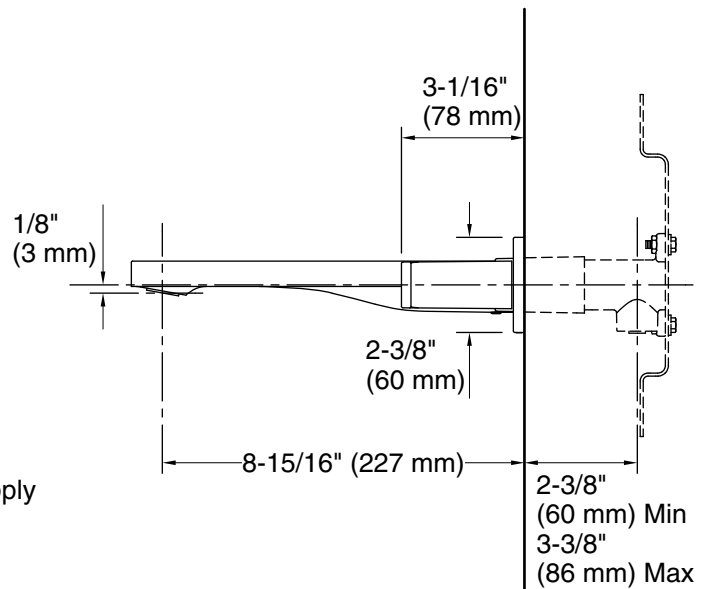
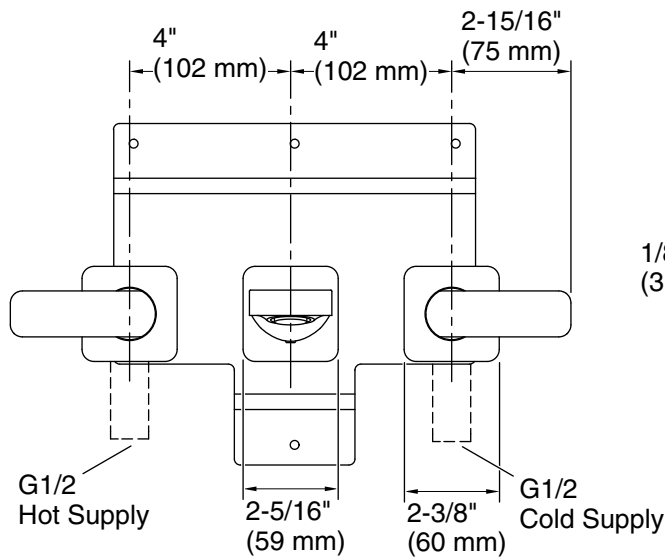
### KOHLER® Faucet Lifetime Limited Warranty

See website for detailed warranty information.

### Available Colors/Finishes

*Color tiles intended for reference only.*

Color	Code	Description
	CP	Polished Chrome
	BN	Vibrant® Brushed Nickel
	BL	Matte Black



### Technical Information

All product dimensions are nominal.

Drain included: No

### Spout:

Spout reach: 9" (228 mm)

### Notes

Install this product according to the installation instructions.

ADA, OBC, CSA B651 compliant when installed to the specific requirements of these regulations.